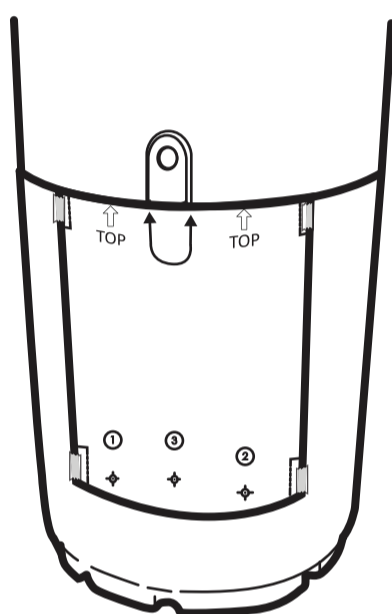
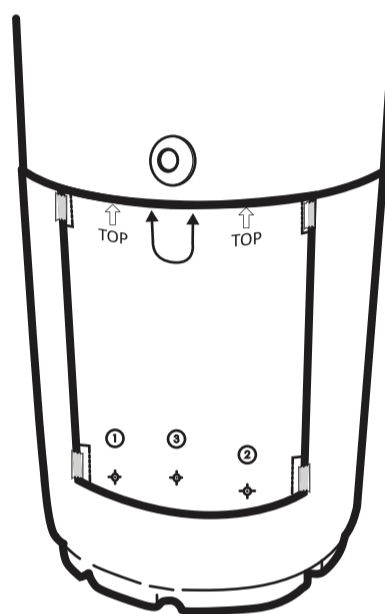


Line up with lock feature on bin hood of Auto-mate or Super Guppy litter bin before taping into place.

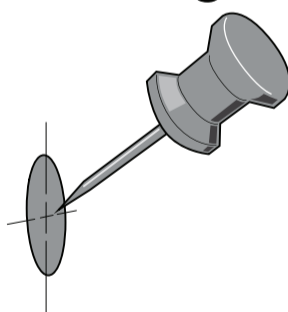


Auto-mate



Super Guppy

Mark the centre of the holes drawn below onto the bin body using a sharp object pushed through the paper template.



Mark and drill holes 1 and 2 for the retrofit fixing kit.
Mark and drill hole 1, 2 and 3 for the security fixing kit.

